

# B8i Standard 8-Cell, Battery Boxes

## Protect your equipment

Perfect for indoor or outdoor use providing protection to personnel and equipment against access to hazardous parts. Enclosures provide batteries protection against ingress of solid foreign objects, falling dirt and windblown dust, the ingress of water, rain, sleet, snow, splashing water, and hose directed water.

- NEMA 4 Enclosure
- Suitable for either indoor or outdoor use
- Piano hinged lid
- Southco fastener
- Lockable clasps
- Powder coat grey
- 1.5" rigid exposed insulation
- 14 gauge steel

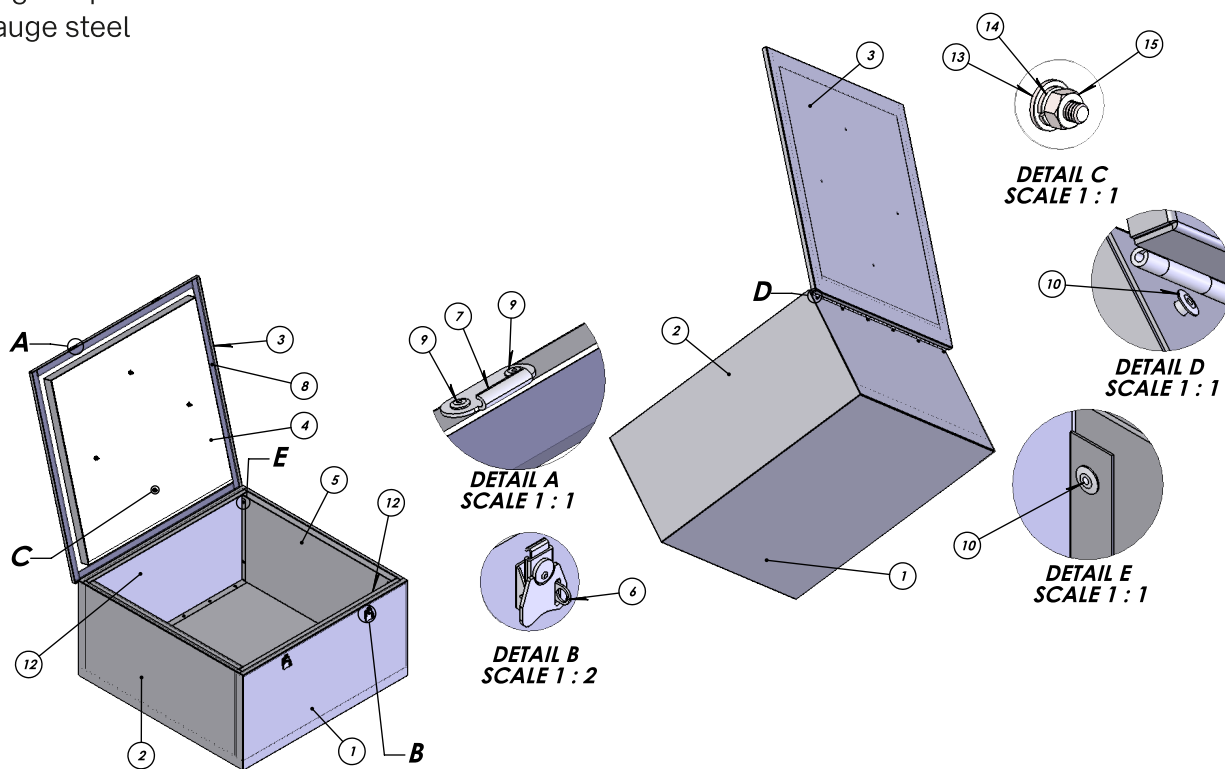
## B8i

- NAT-1004
- Holds 8



## Specifications

	Weight Lbs.	Outside L x W x H	Inside L x W x H
B8i	97	32 x 32 x 16.5	28.75 x 28.25 x 13.5



Item No.	Description	QTY.
1	Main Body Piece - Bottom and Sides	1
2	Side Pieces - Left/Right	2
3	Lid Panel Piece	1
4	Galv. Lid Liner Piece	1
5	Galv. Inner Body Piece Bottom/Sides	1
6	LGM Butterfly Latch - Pad Lockable Zinc Plate	2
7	Zinc Plate	2
8	3/16" Thick x 1" Wide Closed Cell Neoprene Gasket	1
9	ø.125 Stainless Steel Pop Rivet, Grip .100 to .180	8
10	ø.1875 Stainless Steel Pop Rivet, Grip .100 to .220	26
11	Bottom Insulation	1
12	Galv. Inner Front & Back Pieces	2
13	1/4" Flat Washer ZP	4
14	1/4" Lock Washer ZP	4
15	1/4-20 UNC Hex Nut ZP	4
16	Door Liner Insulation	1
17	Insulation Front and Back	2
18	Insulation Sides	2

Zone	REV.	Description	Date	Approved
	A	Initial Prototype Design	291010	AL
	B	Added Rigid Foam Insulation in Door Liner & All Four Sides	250112	AL

Purchase these now on the BayWa r.e. web shop.



**BayWa r.e.**  
r.e.think energy